



## INSTRUCTION MANUAL

# MDF-U32V

## Ultra-Low Temperature Freezer



**Note:**

- 1. No part of this manual may be reproduced in any form without the expressed written permission of SANYO.**
- 2. The contents of this manual are subject to change without notice.**
- 3. Please contact SANYO if any point in this manual is unclear or if there are any inaccuracies.**

**SANYO Electric Biomedical Co., Ltd. All rights reserved. Printed in Japan.**

# CONTENTS

PRECAUTIONS FOR SAFE OPERATION	P. 2
CAUTIONS FOR USAGE	P. 6
ENVIRONMENTAL CONDITIONS	P. 7
FREEZER COMPONENTS	P. 8
Control panel and keypad	P.10
INSTALLATION	
Installation site	P.11
Installation	P.12
OPTIONAL COMPONENTS	
Temperature recorder	P.13
Back-up system	P.14
Inventory rack	P.15
START-UP OF UNIT	P.16
TEMPERATURE SETTING	
Chamber temperature	P.17
Key lock function	P.17
Alarm temperature setting	P.18
ALARMS & SAFETY FUNCTIONS	P.19
SETTING OF ALARM RESUME TIME	P.20
REMOTE ALARM TERMINAL	P.21
MONITOR OF FREEZER STATUS	P.22
CHANGE OF COMPRESSOR DELAY TIME	P.23
ROUTINE MAINTENANCE	
Cleaning of cabinet	P.24
Cleaning of condenser filter	P.24
Defrosting of inside wall	P.25
TROUBLESHOOTING	P.26
DISPOSAL OF UNIT	P.26
RECYLCE OF RECHARGEABLE BATTERY	P.27
SPECIFICATIONS	P.28
PERFORMANCE	P.28
SAFETY CHECK SHEET	P.29

# PRECAUTIONS FOR SAFE OPERATION

**It is imperative that the user complies with this manual as it contains important safety advice.**

Items and procedures are described so that you can use this unit correctly and safely. If the precautions advised are followed, this will prevent possible injury to the user and any other person.

Precautions are illustrated in the following way:




## **WARNING**

Failure to observe WARNING signs could result in a hazard to personnel possibly resulting in serious injury or death.

## **CAUTION**

Failure to observe CAUTION signs could result in injury to personnel and damage to the unit and associated property.

Symbol shows;

-  this symbol means caution.
-  this symbol means an action is prohibited.
-  this symbol means an instruction must be followed.

Be sure to keep this manual in a place accessible to users of this unit.

< Label on the unit >



This mark is labeled on the cover in which the electrical components of high voltage are enclosed to prevent the electric shock.
















The cover should be removed by a qualified engineer or a service personnel only.

## **WARNING**

As with any equipment that uses CO<sub>2</sub> gas, there is a likelihood of oxygen depletion in the vicinity of the equipment. It is important that you assess the work site to ensure there is suitable and sufficient ventilation. If restricted ventilation is suspected, then other methods of ensuring a safe environment must be considered. These may include atmosphere monitoring and warning devices.









# PRECAUTIONS FOR SAFE OPERATION

## **WARNING**






-  **Do not use the unit outdoors.** Current leakage or electric shock may result if the unit is exposed to rain water.
-  **Only qualified engineers or service personnel should install the unit.** The installation by unqualified personnel may cause electric shock or fire.
-  **Install the unit on a sturdy floor.** If the floor is not strong enough or the installation site is not adequate, this may result in injury from the unit falling or tipping over.
-  **Never install the unit in a humid place or a place where it is likely to be splashed by water.** Deterioration of the insulation may result which could cause current leakage or electric shock.
-  **Never install the unit in a flammable or volatile location.** This may cause explosion or fire.
-  **Never install the unit where acid or corrosive gases are present** as current leakage or electric shock may result due to corrosion.
-  **Use a dedicated power source** as indicated on the rating label attached to the unit.
-  **Connect the power supply plug to the power source firmly.** Improper insertion may cause a heat or ignition.
-  **Use a power supply outlet with ground (earth)** to prevent electric shock. If the power supply outlet is not grounded, it will be necessary to install a ground by qualified engineers.
-  **Never ground the unit through a gas pipe, water main, telephone line or lightning rod.** Such grounding may cause electric shock in the case of an incomplete circuit.
-  **Never store volatile or flammable substances** in this unit if the container cannot be sealed. This may cause explosion or fire.
-  **Never store corrosive substances** in this unit if the container cannot be sealed. This may lead to damage to the inner components or electric parts.
-  **Do not insert metal objects such as a pin or a wire into any vent, gap or any outlet** for inner air circulation. This may cause electric shock or injury by accidental contact with moving parts.
-  **Use this unit in safe area when treating the poison, harmful or radiate articles.** Improper use may cause bad effect on your health or environment.
-  **Disconnect the power supply to the unit prior to any repair or maintenance** of the unit in order to prevent electric shock or injury.

# PRECAUTIONS FOR SAFE OPERATION

## **WARNING**















-  **Ensure you do not inhale or consume medication or aerosols** from around the unit at the time of maintenance. These may be harmful to your health.
-  **Never splash water directly onto the unit** as this may cause electric shock or short circuit.
-  **Never disassemble, repair, or modify the unit yourself.** Any such work carried out by an unauthorized person may result in fire or injury due to a malfunction.
-  **Disconnect the power supply plug if there is something wrong with the unit.** Continued abnormal operation may cause electric shock or fire.
-  If the unit is to be stored unused in an unsupervised area for an extended period, **ensure that children do not have access and that doors cannot be closed completely.**
-  **The disposal of the unit should be accomplished by appropriate personnel.** Remove doors to prevent accidents such as suffocation.
-  **Ventilate the room air when using the carbon dioxide gas for the back-up system.** The CO<sub>2</sub> density level in the air could rise and may be harmful to humans.
-  **Prepare a safety check sheet** when you request any repair or maintenance for the safety of service personnel.

## **CAUTION**

-  **Select a level and sturdy floor for installation.** This precaution will prevent the unit from tipping. Improper installation may result in water spillage or injury from the unit tipping over.
-  **Connect the unit to a power source as indicated on the rating label attached to the unit.** Use of any other voltage or frequency other than that on the rating label may cause fire or electric shock.
-  **Never bind, process, or step on the power supply cord, or never damage or break the power supply plug. Do not use the supply plug if its cord is loose.** This may cause fire or electric shock.
-  **When removing the plug from the power supply outlet, grip the power supply plug, not the cord.** Pulling the cord may result in electric shock or fire by short circuit.
-  **Do not touch any electrical parts** such as the power supply plug or any switches with a wet hand. This may cause electric shock.

# PRECAUTIONS FOR SAFE OPERATION

## CAUTION

-  **Check the setting when starting up of operation after power failure or turning off of power switch.** The stored items may be damaged due to the change of setting.
-  **Do not put a container with water or heavy articles on the unit.** It may cause injury if the articles fall. Current leakage or electric shock may be resulted from the deterioration of insulation by spilled water.
-  **Do not climb onto the unit or do not put articles on the unit.** This may cause injury by tipping or damage to the unit.
-  **Always hold the handle when closing the door.** This will reduce the likelihood of a trapped finger.
-  **Do not put glass bottles or cans into the compartment** since they may be broken by frozen contents and cause injury.
-  **Do not touch the stored items with bare hand.** Handling frozen contents or the inside walls with naked hand may cause frostbite.
-  **Do not lean on the door.** This may cause injury if the unit tips over or door is broken.
-  **Put on gloves at the time of maintenance** to prevent injury by the edge or corner of the components.
-  **Check the filter mentioned in this manual and clean it as necessary.** A dusty filter may cause temperature rise or failure.
-  **Do not touch the condenser directly** when the filter is removed for cleaning. This may cause injury by hot surface.
-  **Disconnect the power supply plug** before moving the unit. Take care not to damage the power cord. A damaged cord may cause electric shock or fire.
-  **Be careful not to tip over the unit** during movement to prevent damage or injury.
-  **Disconnect the power plug** when the unit is not used for long periods. Keeping the connection may cause electric shock, current leakage, or fire due to the deterioration of insulation.
-  **Do not put the packing plastic bag within reach of children** as suffocation may result.

# CAUTIONS FOR USAGE

1. When the first start-up or start-up after no use of long period, the warning device may not operate, because its Ni-MH battery has completely discharged. This does not denote a malfunction. In this case, continue to operate the unit for about 3 hours, then push the test switch to check if the warning device operates. To fully recharge the completely discharged battery, the unit has to be operated for about 2 days.
2. In the case of high ambient temperature, the cabinet front may heat up after the freezer starts to operate first. However, this does not denote a malfunction. It is due to the hot gas piped around the unit frame to prevent condensation around the cabinet.
3. Cool down the freezer chamber sufficiently before storing materials and put the materials in a small batch to reduce the temperature rise.
4. The digital thermometer of this ultra-low temperature freezer is designed to display the temperature of the center part of the freezing compartment. The thermometer sometimes displays a temperature a little bit higher than the actual temperature of the center part depending on the amount or arrangement of stored items.
5. An access port to take out the measuring cable in the case is provided on the back wall and right bottom of the freezer. Be sure to replace the cap and thermal insulation after taking out of the cable, or the chamber temperature cannot complete down, and frost may accumulate outside the port surroundings.
6. Always open and close the door gently. Rough operation may lead fall down of stocked items, incomplete closing, or damage of door gasket.
7. Check and rectify the problem as soon as possible when the alarm lamp is light and buzzer is activated. Refer to table 5 on page 19 for the alarm.
8. Do not use brushes, acids, thinners, powdered soap or hot water for cleaning the freezer. Polishing powders or hot water can deteriorate the painted surfaces or cause deformation, discoloration or degeneration of plastic or rubber components. Be especially careful not to wipe plastic or rubber parts with volatile solvents such as benzine. Wipe off a diluted neutral dishwashing detergent completely with a wet cloth when it is used.
9. The frost will be built up on the chamber wall and inner door during operation. Use a scraper provided with the freezer or equivalent tool to remove the frost. The inner door is hard to be opened when a large amount of frost is built up on it. In this case, remove the frost by detaching the inner door as shown in page 25.
10. There are pipelines for cooling behind the walls. Do not defrost inside walls using a knife, ice pick, or screw driver. Be careful not to damage the walls or to make a hole on the walls as this could cause a failure of the freezer. Also, take care not to drop a heavy item or anything with sharp edge on the bottom of the chamber.
11. Because of a large freezer, the following facilities are needed; a dedicated power outlet of more than 15A capacity, a motor breaker of more than 15A or a general-purpose breaker of more than 30A. Do not use a branched socket for power source as it may cause unstable voltage and result in a failure of the unit. Always use a dedicated power outlet. For details, consult a Sanyo sales representative or an electrician.

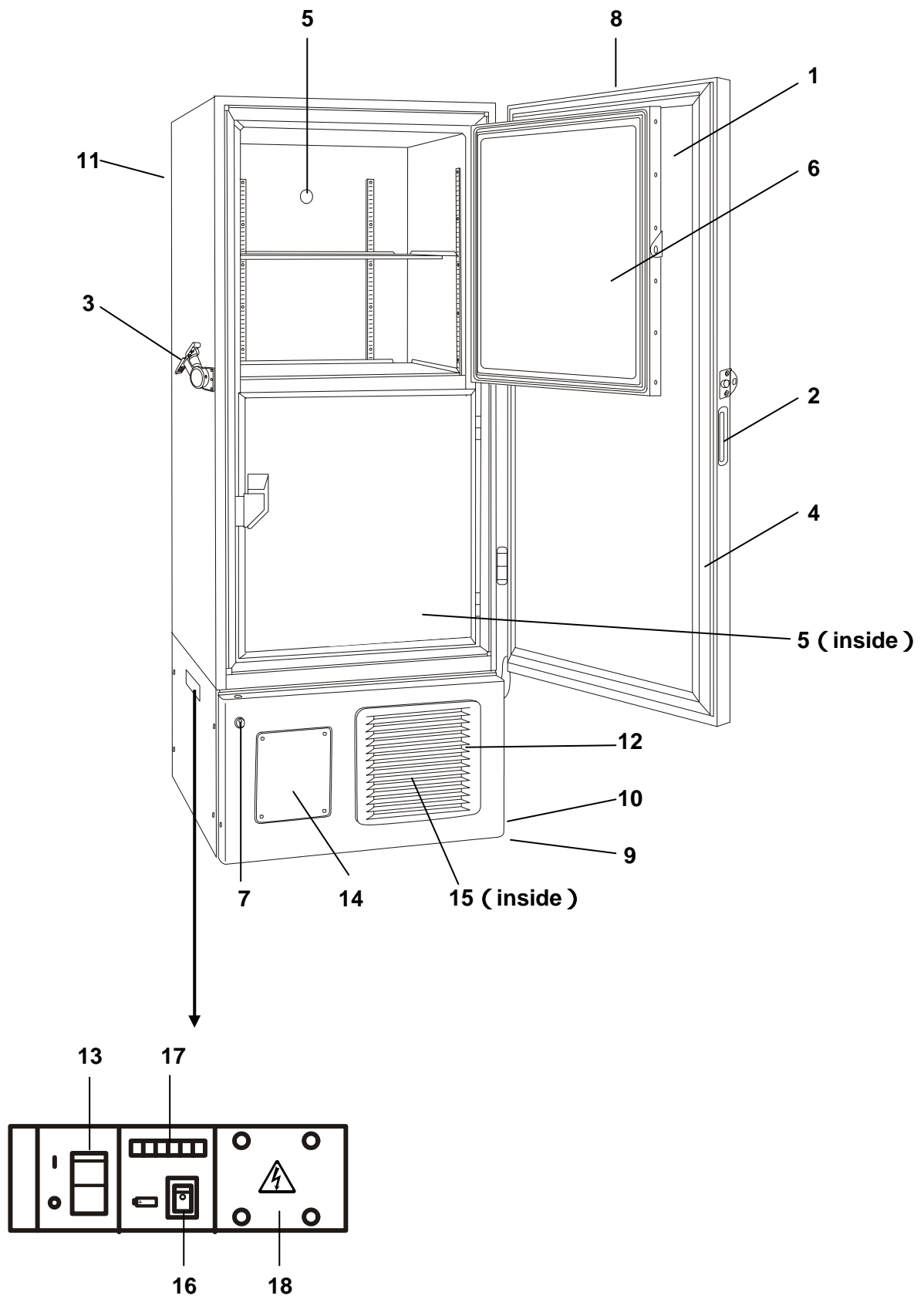


# ENVIRONMENTAL CONDITIONS

This equipment is designed to be safe at least under the following conditions (based on the IEC-1010-1):

1. Indoor use;
2. Altitude up to 2000 m;
3. Ambient temperature 5°C to 40°C
4. Maximum relative humidity 80% for temperature up to 31°C decreasing linearly to 50% relative humidity at 40°C;
5. Mains supply voltage fluctuations not to exceed  $\pm 10\%$  of the nominal voltage;
6. Other supply voltage fluctuations as stated by the manufacturer;
7. Transient overvoltages according to Installation Categories (Overvoltage Categories) II; For mains supply the minimum and normal category is II;
8. Pollution degree 2 in accordance with IEC 664.

# FREEZER COMPONENTS

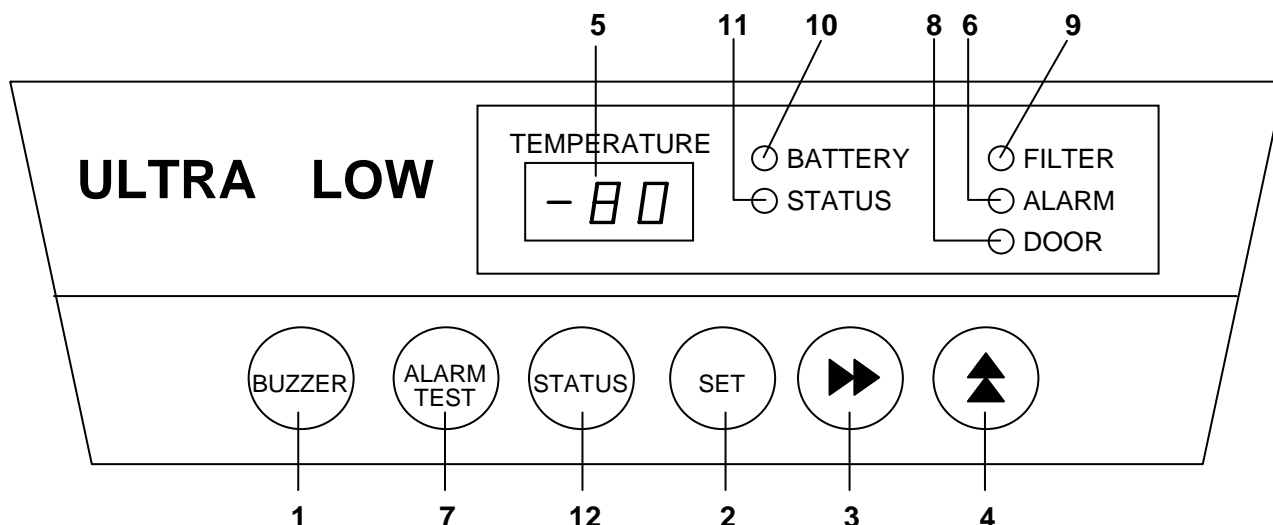


# FREEZER COMPONENTS

1. **Outer door:** To open the door, grip the handle. On closing, lock the door latch completely.
2. **Handle:** Always grip this handle to open and close the outer door.
3. **Door latch:** Always lock the latch when the outer door is closed.
4. **Magnetic door gasket:** This provides a tight door seal and prevents cold air leak. Keep clean.
5. **Access port (rear and bottom):** This is used for leading a cable and sensor of a measuring equipment, or nozzle of back-up system to chamber.
6. **Inner door:** The operation of the inner door should be quick to minimize the temperature rise in chamber. Lock the door latch completely when the door is closed. The door is removable for cleaning or defrosting. See page 25 "Routine maintenance".
7. **Lock:** Turn clockwise to 180° with a key and the outer door is securely locked.
8. **Control panel (on the upper front of the door):** Used for temperature setting and indication of operating status is displayed on the panel. See page 10 for details.
9. **Caster:** 4 casters are provided to facilitate moving of the cabinet. For the installation, adjust the leveling foot so that the front 2 casters cannot contact with the floor.
10. **Leveling foot:** The height of the freezer can be adjusted by this screw type foot. Keep the unit in level at the installation.
11. **Fixture (on back side):** 2 fixtures serve as spacers between the cabinet and wall and also serve as hooks to fix the unit. See page 12 "Installation".
12. **Air intake vent (grille):** Do not block this vent to keep the proper cooling performance.
13. **Power switch:** This is for turning ON/OFF the power to the unit. ON – "I" OFF – " " "
14. **Space for temperature recorder:** An automatic temperature recorder (optional component) can be attached here. See page 13 "Temperature recorder".
15. **Condenser filter (behind the grille):** This filter prevents the dust from accumulating on the condenser. The dusty filter may cause failure of refrigerating device. Clean the filter once a month. See page 24 "Routine maintenance" for the cleaning.
16. **Battery switch:** This is a switch for a battery for power failure alarm. Normally, turn on this switch. Be sure to turn off this switch if the freezer is not in operating for the long period.
17. **Remote alarm terminal:** This is used to notice an alarm condition of the unit to remote location. Refer to page 21 "Remote alarm terminal".
18. **Space for optional component:**

# FREEZER COMPONENTS

## Control panel and keypad



**1. Buzzer stop key (BUZZER):** To silence the audible alarm under alarm condition, press this key. The buzzer during alarm test cannot be silenced by this key.

**2. Set key (SET):** Temperature setting mode is led by pressing this key and the changeable digit is flashed. By pressing this key again, the setting is memorized. The set mode returns to the temperature display mode automatically when 90 seconds has passed without any key operation. Refer to page 17 for details.

**3. Digit shift key (▶▶):** Pressing this key in the setting mode causes the changeable digit to shift. Key lock is available by pressing this key for more than 5 seconds in the temperature display mode. Refer to page 17 for details.

**4. Numerical value shift key (▲):** Pressing this key in the setting mode causes the numerical value to shift. "ON-OFF" of key lock can be selected by pressing this key in the key lock mode. By pressing this key for more than 5 seconds in the temperature display mode leads setting mode for alarm temperature and alarm resume time. Refer to page 18 and 20 for details respectively.

**5. Digital temperature indicator:** This indicator shows the present chamber temperature or set temperature.

**6. Alarm lamp (ALARM):** This lamp is flashed during alarm condition.

**7. Alarm test key (ALARM TEST):** To check the alarm system. Pressing this key with the battery switch ON gets the alarm lamp to flash, the remote alarm to operate, and the buzzer to sound.

**8. Door check lamp (DOOR):** This lamp lights when the door is open.

**9. Filter check lamp (FILTER):** This lamp lights when the excessive dust is accumulated on the condenser filter. When this lamp lights, clean the condenser filter following the procedure on page 24.

**10. Battery check lamp (BATTERY):** This lamp flickers to recommend the battery replacement. For the replacement, consult Sanyo sales representative or agent.

**11. Status monitor lamp (STATUS):** This lamp lights when environmental condition or status gets worse or the unit is out of normal operation.

**12. Status key (STATUS):** By pressing this key in the event of the status monitor lamp ON, the status code is displayed on the temperature indicator. This key is not effective when the freezer is running normally. See page 22 for details.

# INSTALLATION

## Installation site

To operate this unit properly and to obtain maximum performance, install the unit in a location with the following conditions:

### 1. A location not subjected to direct sunlight

Installation in a location subjected to direct sunlight may lead to inadequate cooling.

### 2. A location with adequate ventilation

Leave at least 10 cm around the unit for ventilation. Poor ventilation will result in a reduction of the refrigeration capacity.

### 3. A location away from heat generating sources

Avoid installing the unit near heat-emitting appliances such as gas ranges or stoves. Heat can cause inefficient refrigeration.

### 4. A location with a sturdy and level floor



#### **WARNING**

**Install the unit on a sturdy floor.** If the floor is not strong enough or the installation site is not adequate, this may result in injury from the unit falling or tipping over.

**Select a level and sturdy floor for installation.** This precaution will prevent the unit from tipping. Improper installation may result in water spillage or injury from the unit tipping over.

### 5. A location not prone to high humidity



#### **WARNING**

**Do not use the unit outdoors.** Current leakage or electric shock may result if the unit is exposed to rain water.

**Never install the unit in a humid place or a place where it is likely to be splashed by water.** Deterioration of the insulation may result which could cause current leakage or electric shock.

### 6. A location without flammable or corrosive gas



#### **WARNING**

**Never install the unit in a flammable or volatile location.** This may cause explosion or fire.

**Never install the unit where acid or corrosive gases are present** as current leakage or electric shock may result due to corrosion.

# INSTALLATION

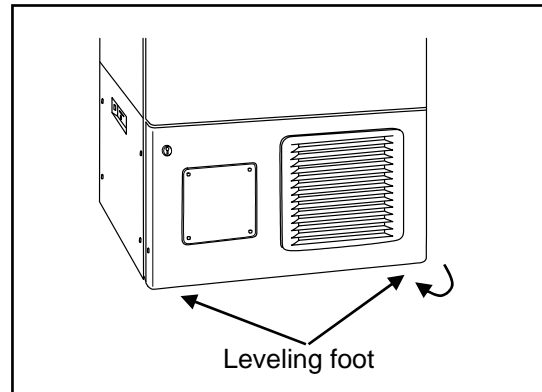
## Installation

### 1. Remove the packaging materials and tapes

Remove all transportation packaging materials and tapes. Open the doors and ventilate the unit. If the outside panels are dirty, clean them with a diluted neutral dishwashing detergent. (Undiluted detergent can damage the plastic components. For the dilution, refer to the instruction of the detergent.) After the cleaning with the diluted detergent, always wipe it off with a wet cloth. Then wipe off the panels with a dry cloth.

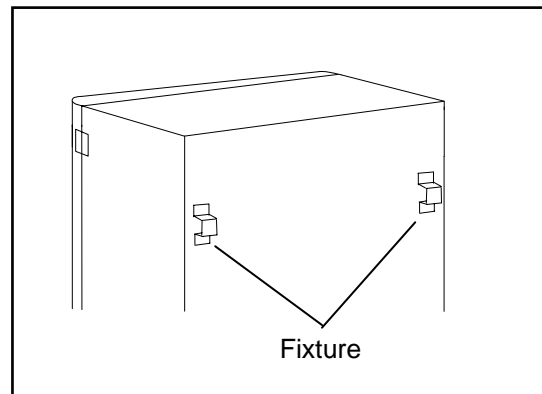
### 2. Adjust the leveling foot

Extend the leveling feet by rotating them counterclockwise to contact them to the floor. Ensure the unit is level.



### 3. Fix the unit

Two fixtures are attached to the rear of the frame. Fix the frame to the wall with these fixtures and rope or chain.



### 4. Ground (earth)

#### **WARNING**

**Use a power supply outlet with ground (earth) to prevent electric shock.** If the power supply outlet is not grounded, it is necessary to install a ground by qualified engineers.

**Never ground the unit through a gas pipe, water main, telephone line or lightning rod.** Such grounding may cause electric shock in the case of an incomplete circuit.

# OPTIONAL COMPONENTS

## Temperature recorder

An automatic temperature recorder is available for this freezer as the optional component. The type of the recorder is MTR-G85.

Following shows the attachment procedure.

1. Remove four screws on the front panel and take it off. By removing four screws, take off the left side panel. Then take off the cover for the recorder mounting space by removing four screws. (Fig. 1)

2. As shown in the Fig. 2, insert the temperature recorder to the mounting space and fix it to the back side of the front panel by using the recorder fixture enclosed with the recorder.

3. Take off the recorder sensor cover in the chamber (bottom left side) by removing two screws. Then remove the rubber cap and insulation covering the sensor port. (Fig. 3)

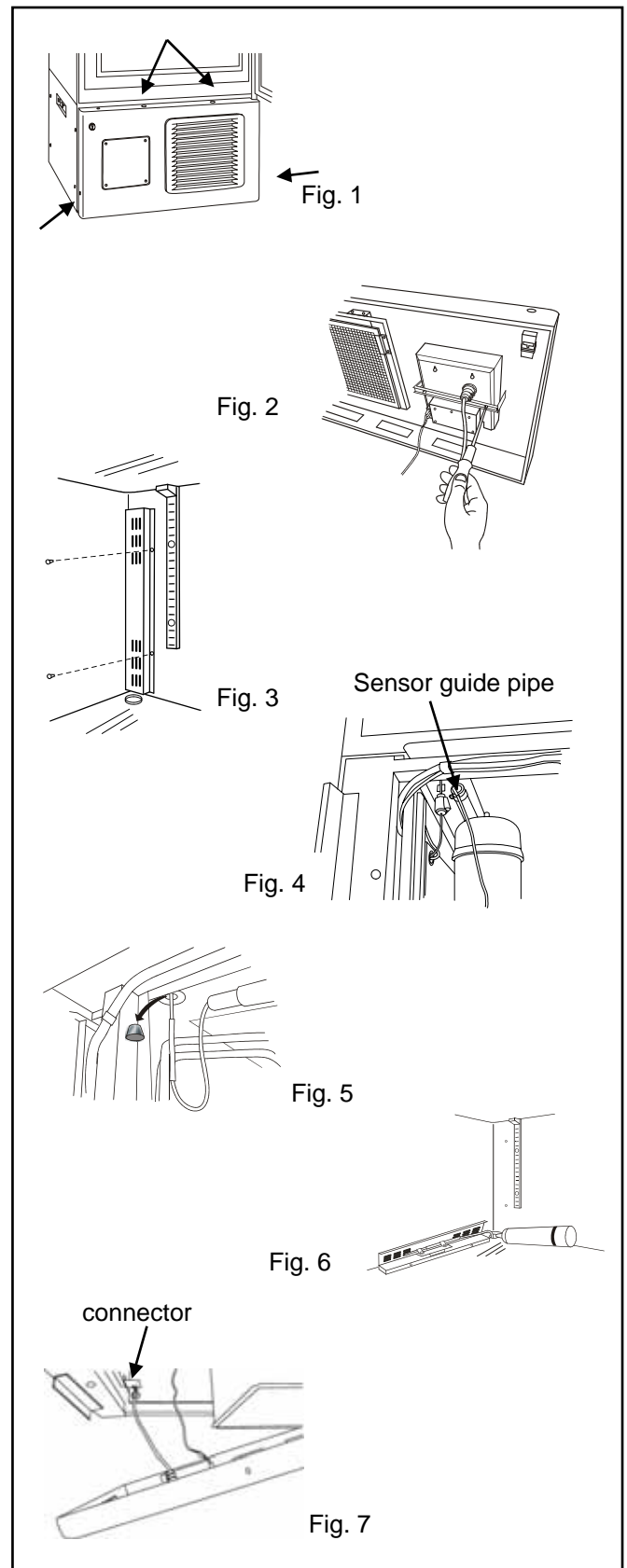
4. As shown in the Fig. 4, pass the recorder sensor through the sensor guide pipe from the front to the back. The sensor guide pipe is provided on the upper left side of the base compartment.

5. Take out the recorder sensor from the guide pipe at the back side and pass the sensor to the chamber through the access port. (Fig. 5)

6. Attach the recorder sensor on the sensor cover with the enclosed clips. Seal the sensor port with a silicon and replace the recorder sensor cover. Fix the cover to the inside wall. (Fig. 6)

7. Remove the connector cover. Connect the recorder connector at the end of the power cord with the white connector on the left of the base compartment. Bind the extra lead wire of the sensor with a nylon clip on the back of the recorder. (Fig. 7)

8. Replace the left side panel and front panel and fix them with screws.



# OPTIONAL COMPONENTS

## Back-up system

### WARNING

As with any equipment that uses CO<sub>2</sub> gas, there is a likelihood of oxygen depletion in the vicinity of the equipment. It is important that you assess the work site to ensure there is suitable and sufficient ventilation. If restricted ventilation is suspected, then other methods of ensuring a safe environment must be considered. These may include atmosphere monitoring and warning devices.

This freezer can be provided with a back-up system (CVK-UB2) which is available as an optional component. For the installation, refer to the instruction manual enclosed with the system.

#### 1. Switch of back-up system (BACKUP)

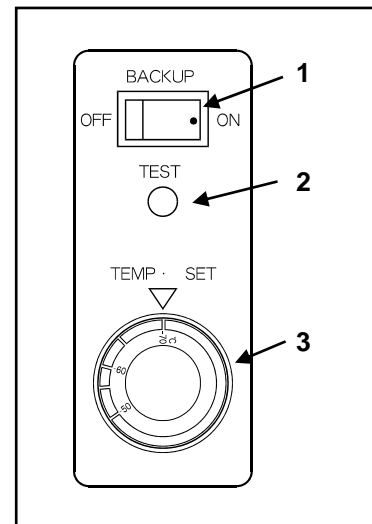
When turning on the system, the lamp is brightened. This means that the system is ready. To stop the operation of the system, turn off this switch.

#### 2. Test switch (TEST)

This switch is for checking the operation of back-up system. Pressing this switch is resulted in the release of liquid carbon dioxide without system operation.

#### 3. Temperature setting knob (TEMP. SET)

With this knob, set the temperature at which the system is operated. The effective set temperature range is between -50°C and -70°C.

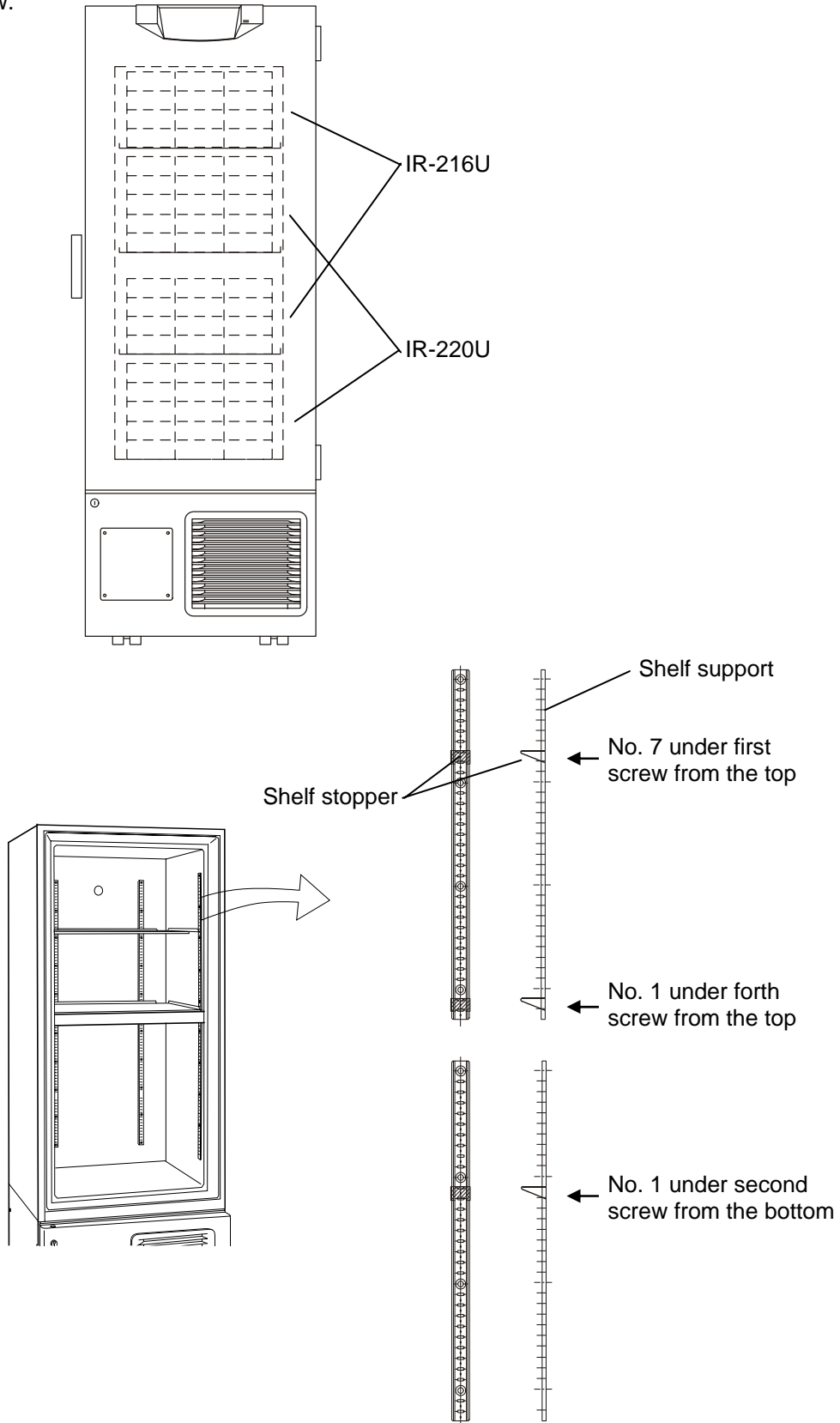




# OPTIONAL COMPONENTS

## Inventory rack

The optional inventory rack is useful to store the precious materials in the chamber effectively. When the rack is used, it is necessary to adjust the height of the shelves. Set the shelf support as shown in the figure below.



# START-UP OF UNIT

Follow the procedures for the initial and consequent operations of the unit.

1. Connect the power cord to the dedicated outlet having appropriate rating with the chamber empty, and turn on the power switch on the freezer.
2. Turn off the switch of the back-up system (optional component) if it is installed.
3. Check that the battery switch is ON.
4. The audible alarm may activated. In this case, press the buzzer stop key (BUZZER) to silence the alarm.
5. Set the desired chamber temperature. See page 17 for the temperature setting.
6. Check that the chamber temperature reaches the desired temperature.
7. Turn on the switch of back-up system (optional component) if it is installed.
8. Make sure that the alarm lamp lights and the buzzer sounds by pressing the alarm test key.
9. After confirming the above, you can put articles into the freezer chamber in a small batch to prevent the temperature rise.

# TEMPERATURE SETTING

## Chamber temperature

Table 1 shows the basic procedure for setting the chamber temperature. Perform key operations in the sequence indicated in the table. The example in the table is based on the assumption that the desired temperature is  $-75^{\circ}\text{C}$ .

**Note:** The unit is set at the factory that the chamber temperature  $-80^{\circ}\text{C}$ .

**Table 1. Basic operation sequence (Example: Chamber temperature  $-75^{\circ}\text{C}$ )**

	Description of operation	Key operated	Indication after operation
1	Turn the power switch ON.	----	The current chamber temperature is displayed.
2	Press SET key.	SET	The second digit is flashed.
3	Set to $-75$ with the numerical value shift key and digit shift key.		When pressed, the figure of settable digit changes.
			When pressed, the settable digit is shifted.
4	Press SET key.	SET	Set temperature is memorized and the current chamber temperature is displayed.

**Note:**

- The temperature set mode returns to the temperature display mode automatically when 90 seconds has passed without any key operation.
- Although the value of the chamber temperature setting can range from  $-50^{\circ}\text{C}$  to  $-90^{\circ}\text{C}$ , the guaranteed temperature when there is no load is  $-85^{\circ}\text{C}$  when the ambient temperature is  $30^{\circ}\text{C}$ .

## Key lock function

This unit is provided with the key lock function. When the key lock is ON, change of temperature setting through the key pad is not available. The key lock is set in OFF at the factory.

Display	Mode	Function
L 0	Key lock is OFF	Enable to change of temperature setting
L 1	Key lock is ON	Disable to change of temperature setting

**Table 2. Procedure for key lock setting (change from key lock OFF to key lock ON)**

	Description of operation	Key operated	Indication after operation
1		----	The current chamber temperature is displayed.
2	Press digit shift key for 5 seconds.		The first digit is flashed.
3	Press numerical value shift key and scroll the figure to 1.		When pressed, the figure of settable digit changes.
4	Press SET key.	SET	The key lock is set to ON. The current chamber temperature is displayed.

# TEMPERATURE SETTING

## Alarm temperature setting

This unit is provided with the high and low temperature alarm and the temperature at which the alarm is activated is changeable.

The following procedure shows the setting of alarm temperature according to the condition below:

High temperature alarm: activates at the temperature 5°C higher than the set temperature

Low temperature alarm: activates at the temperature 5°C lower than the set temperature

### Note:

The alarm temperature is set at the factory 10°C higher and lower than the set temperature.

The available range of alarm temperature is between 5°C and 20°C higher or lower than the set temperature.

**Table 3. Procedure for setting high temperature alarm**

	Description of operation	Key operated	Indication after operation
1		----	The current chamber temperature is displayed.
2	Press numerical value shift key for about 5 seconds.		The first digit is flashed.
3	Press numerical value shift key and scroll the figure to 1.		The first digit is flashed.
4	Press SET key.	SET	The first digit is flashed.
5	Scroll the figure to 005 by using digit shift key and numerical value shift key		When pressed, the figure of settable digit changes.
			When pressed, the changeable digit moves.
6	Press SET key.	SET	Alarm temperature is memorized and the current chamber temperature is displayed.

**Table 4. Procedure for setting low temperature alarm**

	Description of operation	Key operated	Indication after operation
1		----	The current chamber temperature is displayed.
2	Press numerical value shift key for about 5 seconds.		The first digit is flashed.
3	Press numerical value shift key and scroll the figure to 2..		The first digit is flashed.
4	Press SET key.	SET	The first digit is flashed.
5	Scroll the figure to -05 by using digit shift key and numerical value shift key		When pressed, the figure of settable digit changes.
			When pressed, the changeable digit moves.
6	Press SET key.	SET	Alarm temperature is memorized and the current chamber temperature is displayed.

# ALARMS & SAFETY FUNCTIONS

This unit has the alarms and safety functions shown in Table 5, and also self diagnostic functions.

**Table 5. Alarms and safety functions**

Alarm & Safety	Situation	Indication	Buzzer	Safety operation
High temperature alarm	If the chamber temperature is higher than the temperature at which the high temperature alarm is activated.	ALARM lamp is flashed. Temperature indicator is flashed.	Intermittent tone with 15 minutes delay.	Remote alarm with 15 minutes delay.
Low temperature alarm	If the chamber temperature is lower than the temperature at which the low temperature alarm is activated.			
Power failure alarm	When the power to the unit is disconnected.	ALARM lamp is flashed.	Intermittent tone	Remote alarm.
Filter check	When the condenser filter is clogged.	Filter check lamp lights.	-----	-----
Battery check	When about 2.8 years has passed with power switch ON.	Battery check lamp lights.	-----	-----
Auto-return	When there is no key pressing in each setting mode for 90 seconds.	Chamber temperature is displayed.	-----	Finishing of each setting mode.
Key lock	When the key lock is "ON".	-----	-----	Change of setting is disable.
Sensor abnormality	If the thermal sensor is disconnected.	ALARM lamp is flashed. E01 and chamber temp. are displayed alternately.	Intermittent tone	Remote alarm. Unit keeps continuous running.
	If the thermal sensor is short-circuited.	ALARM lamp is flashed. E02 and chamber temp. are displayed alternately.	Intermittent tone	Remote alarm. Unit keeps continuous running.
	If the cascade sensor is disconnected.	ALARM lamp is flashed. E03 and chamber temp. are displayed alternately.	Intermittent tone	Remote alarm. Unit keeps running.
	If the cascade sensor is short circuited.	ALARM lamp is flashed. E04 and chamber temp. are displayed alternately.	Intermittent tone	Remote alarm. Unit keeps running.
	If the filter sensor is disconnected.	ALARM lamp is flashed. E05 and chamber temp. are displayed alternately.	Intermittent tone	Remote alarm.
	If the filter sensor is short-circuited.	ALARM lamp is flashed. E06 and chamber temp. are displayed alternately.	Intermittent tone	Remote alarm.
	If the ambient temperature sensor is disconnected.	ALARM lamp is flashed. E07 and chamber temp. are displayed alternately.	Intermittent tone	Remote alarm.
	If the ambient temperature sensor is short-circuited.	ALARM lamp is flashed. E08 and chamber temp. are displayed alternately.	Intermittent tone	Remote alarm.
Battery switch check	When the battery switch is OFF during alarm test.	ALARM lamp is flashed. E09 is flashed.	-----	-----

**Note:**

- When the operation is started in high ambient temperature, the filter check lamp is sometimes flashed. In this case, the lamp is off automatically when the chamber temperature is getting lower.
- The freezer resumes the operation after power failure with the temperature setting before power failure as the chamber temperature setting and alarm temperature setting are memorized in the volatile memory.
- The chamber temperature is displayed for 5 seconds by pressing BUZZER key during power failure alarm. Then the buzzer is silenced. The ALARM lamp keeps flashing.

# SETTING OF ALARM RESUME TIME

The alarm buzzer is silenced by pressing BUZZER key on the control panel during alarm condition (The remote alarm is not silenced).

The buzzer will be activated again after certain suspension if the alarm condition is continued. The suspension time can be set by following the procedure shown in the Table 6 below.

The example in the table is based on the assumption that the desired duration is 20 minutes.

**Note:** The duration is set in 30 minutes at the factory.

**Table 6. Setting procedure for alarm resuming time (change from 30 minutes to 20 minutes)**

	Description of operation	Key operated	Indication after operation
1		----	The current chamber temperature is displayed.
2	Press digit shift key for 5 seconds.		The first digit is flashed.
3	Set the figure to F25 with the digit shift key and numerical value shift key.		The settable digit is shifted.
			When pressed, the figure of settable digit changes.
4	Press SET key.	SET	The current reset time is displayed. The middle digit is flashed.
5	Set the figure to 020 with the numerical value shift key.		When pressed, the figure of settable digit changes.
6	Press SET key.	SET	The setting is memorized and the current chamber temperature is displayed.

- The settable alarm resume time is 10, 20, 30, 40, 50, or 60 minutes (The setting is 010, 020, 030, 040, 050, or 060). The buzzer would not reset if the reset time is set in 000.
- It is recommended to set the alarm resume time when the freezer is not under alarm condition. The setting during alarm condition is effective on the next alarm condition.
- The setting cannot be changed during power failure.
- The remote alarm during power failure or buzzer and remote alarm during alarm test cannot be silenced.
- The set mode returns to the temperature display mode automatically when 90 seconds has passed without any key operation. In this case, any setting before pressing SET key is not memorized.

# REMOTE ALARM TERMINAL

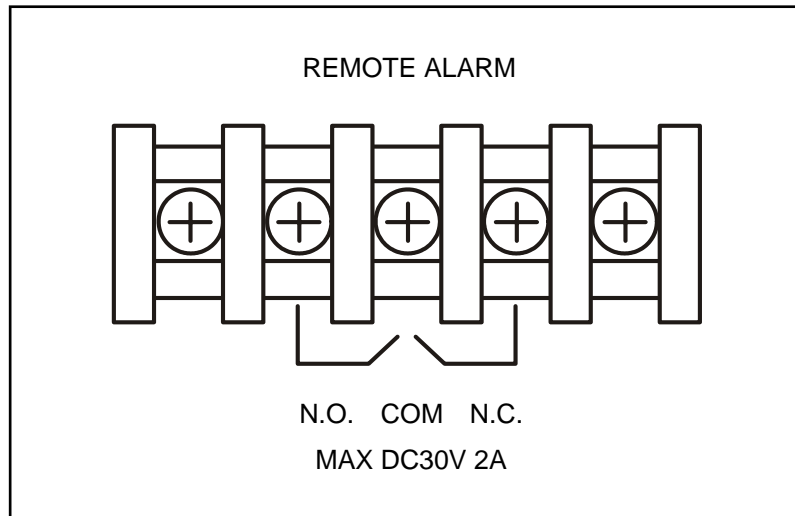
The terminal of the remote alarm is installed at the lower left side of the unit. The alarm is outputted from this terminal. Contact capacity is DC 30V, 2 A.

Contact output:

	between COM. and N.O.	between COM. and N.C.
At normal	Open	Close
At abnormal	Close	Open

**Note:**

The alarm is actuated when the power cord is disconnected from the outlet or the power switch is OFF.



# MONITOR OF FREEZER STATUS

The freezer has a function to monitor the running status of the unit as shown in table 7 below. This is to notice the running status getting worse (not failure).

1. The STATUS lamp is lit when one of the running status shown in table 7 is detected.
2. The S code (--X, X: 1 to 3) is displayed on the temperature indicator by pressing STATUS key when the STATUS lamp is lit.
3. Pressing the STATUS key again causes current chamber temperature display on the temperature indicator. (The indication returns to the chamber temperature display automatically when no key is operated for 90 seconds.)

**Table 7. Monitor of running status**

Kind of function	Status	Indication	If this status continues	Remedy
Notice of abnormal ambient temperature	When the ambient temp. is over about 35°C or lower than about 0°C.	STATUS lamp lights. "--1" is displayed.	Decrease of cooling performance or durability of refrigerating circuit.	Recheck of air-conditioning of installed site.
Notice of low voltage	When the power source voltage is less than about 97V when the rated voltage is 115V or less than about 195V when the rated voltage is between 220 and 240V.	STATUS lamp lights. "--2" is displayed.	Abnormal heat at power supply outlet or degrade of starting performance of refrigerating circuit	Use of dedicated power source.
Notice of overload condition	When the running rate of refrigerating Circuit is more than usual.	STATUS lamp lights. "--3" is displayed.	Decrease of cooling performance or durability of refrigerating circuit.	1. This is likely happened when large amount of materials are stored. 2. Check of ambient temp., voltage, and sealing of outer/inner door.

**Note:**

- The S code displayed on the temperature indicator is changed every a few seconds if two or three status shown in the above table are detected at the same time. ( --1 --2 --3 --1 repeated )
- The monitoring function has no buzzer operation and no safety operation.
- In the case of multiple indication of S code, follow the remedy for each status.



# CHANGE OF COMPRESSOR DELAY TIME

The delay time of high and low stage side compressor can be changed to reduce the load on the power line and to facilitate the start-up (reset) of the freezer after power failure.

The example in the table is based on the assumption that the delay time is changed to 4 minutes. (The delay time is set in 2 minutes at the factory.)

**Note:**

- The delay time should be same for high stage side and low stage side compressors.
- The setting range for delay time is between 2 and 15 minutes. The cool down of chamber temperature may be slow when the setting of delay time is over 5 minutes, depending on the installation environment. There is no need changing the delay time when the capacity of power source is enough.

**Table 8. Changing procedure for delay time (change from 2 minutes to 4 minutes)**

	Description of operation	Key operated	Indication after operation
1		----	The current chamber temperature is displayed.
2	Press numerical value shift key for 5 seconds.		The first digit is flashed.
3	Set the figure to F05 with the numerical value shift key.		When pressed, the figure of settable digit changes.
4	Press SET key.	SET	The current delay time is displayed. The first digit is flashed.
5	Set the figure to 004 with the numerical value shift key.		When pressed, the figure of the first digit changes.
6	Press SET key.	SET	The delay time is memorized and the current chamber temperature is displayed.

- The compressor starts to operate with the delay time set by the above procedure at the time of power on or after power failure. For the low stage side compressor, however, its start up may be behind the delay time because the compressor is affected by the chamber temperature and temperature of cascade condenser installed in the freezer.

# ROUTINE MAINTENANCE

## **⚠ WARNING**

**Always disconnect the power supply to the unit prior to any repair or maintenance** of the unit in order to prevent electric shock or injury.

**Ensure you do not inhale or consume medication or aerosols** from around the unit at the time of maintenance. These may be harmful to your health.

## Cleaning of cabinet

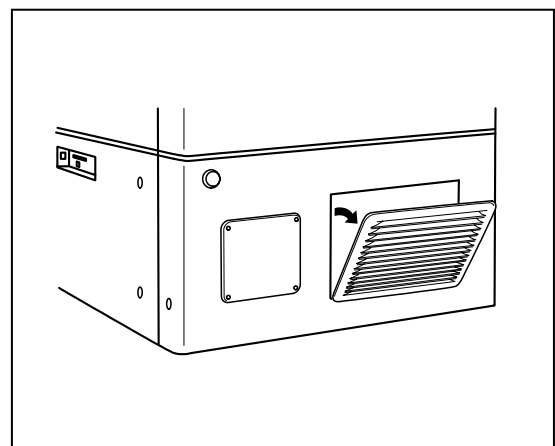
- Clean the unit once a month. Regular cleaning keeps the unit looking new.
- Use a dry cloth to wipe off small amounts of dirt on the outside and inside of the unit and all accessories. If the outside panels are dirty, clean them with a diluted neutral dishwashing detergent. (Undiluted detergent can damage the plastic components. For the dilution, refer to the instruction of the detergent.) After the cleaning with the diluted detergent, always wipe it off with a wet cloth. Then wipe off the cabinet or accessories with a dry cloth.
- Never pour water onto or into the unit. Doing so can damage the electric insulation and cause failure.
- The compressor and other mechanical parts are completely sealed. This unit requires absolutely no lubrication.
- Check the back-up system by pressing TEST switch once a month if it is installed.
- Remove the frost or ice on the chamber wall and clean the condenser filter once a month.

## Cleaning of condenser filter

This unit is provided with the filter check lamp on the control panel. Clean the filter when this lamp lights. Clean the filter once a month even if the check lamp is not on since a clogged filter may cause shorter compressor life as well as the poor cooling.

Clean the filter by the procedure below.

1. Open the grille by pulling it to you as shown in the figure.
2. Take out the condenser filter.
3. Wash the filter with water.
4. Replace the filter and the grille.
5. Check that the filter check lamp is off in the event the check lamp was ON.



## **⚠ WARNING**

**Do not touch the condenser directly** when the filter is removed for cleaning. This may cause injury by hot surface.

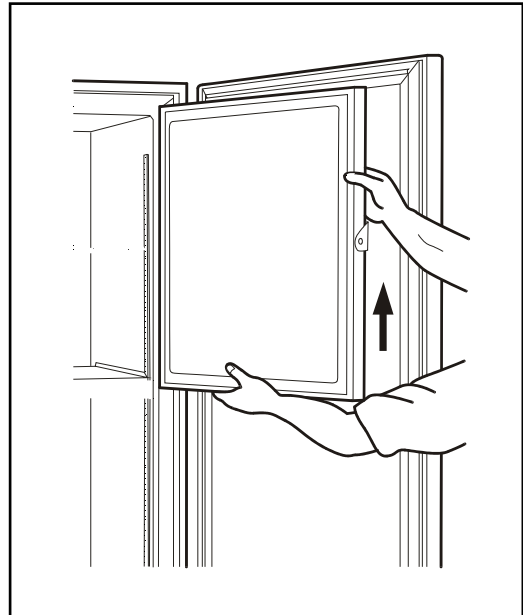
# ROUTINE MAINTENANCE

## Defrosting of inside wall

The frost is built at the upper portion of the chamber and inner door. The excessive frost possibly make some gap between the cabinet and door gasket, which may cause poor cooling. Remove the frost on the inner door with a scraper enclosed with the unit. Following shows the procedure for removing the chamber frost.

**Note:** For removing the frost, do not use a tool with sharp edge such as a knife or a screw driver.

1. Turn off the back-up system if applicable.
2. Take out and transfer all the contents to another freezer or a container which is refrigerated by liquid carbon dioxide or dry ice.
3. Turn off the power switch of the freezer.
4. Open the outer door and inner door. Remove the inner door by lifting up as shown in the figure.
5. Leave the freezer as it is.
6. The water accumulated on the bottom of the chamber should be wiped up with a dry cloth.
7. After cleaning the chamber and inner door, replace the inner door and start up the unit according to the procedure on page 16.
8. Put back the articles into the sufficiently cooled freezer compartment.
9. Turn on the back-up system if it is provided.



# TROUBLESHOOTING

If the unit malfunctions, check out the following before calling for service.

## **The chamber is not cooled at all**

1. The circuit breaker of power source is active.
2. The voltage is too low. (The status code "--2" is displayed. See page 22.) In this case, call an electrician.
3. The power switch is not ON.
4. The large amount of articles (load) is stored in the chamber at one time. (The status code "--3" is displayed. See page 22.)

## **The cooling is poor**

1. The ambient temperature is too high. (The status code "--1" is displayed. See page 22.)
2. The latch of inner door is not closed completely. The outer door is not closed firmly. (The frost or ice between the cabinet and door gasket possibly prevents door seal.)
3. The air intake vent is blocked.
4. The condenser filter is clogged. Always clean the filter when the filter check lamp is lit.
5. The set temperature is not inputted properly.
6. The freezer is not away from the direct sunlight.
7. There is any heating source near the freezer.
8. A rubber cap and insulation for the access port are not set correctly.
9. You put too many unfrozen articles into the freezer compartment.

## **Alarm test key cannot actuate the alarm**

The alarm is activated only when the power switch is ON.

1. The nickel-metal-hydride battery has been discharged entirely. In this case, operate the freezer for about 3 hours and depress the alarm test key again. Entirely discharged cell requires about 2 days' operation of the freezer.
2. When only the buzzer or only the alarm is actuated by the alarm test key, the unactuated part is out of order, and must be replaced.

## **Noise**

1. The freezer is not installed on the sturdy floor.
2. The freezer is not leveled with the leveling feet.
3. There is anything touching the frame.
4. The freezer is in the status immediately after start up.

The unit sometimes causes a noise when the chamber temperature is high due to the large load. The noise gets less and less accompanying with the cooling of the chamber.

## **Back-up test switch does not operate normally (if the back-up system is provided)**

1. The liquid carbon dioxide tank is empty.
  2. The valve of the carbon dioxide tank is not opened.
  3. The ambient temperature is too high. In this case, move the tank to a cool location.
- Inquire at liquid carbon dioxide suppliers about its installation, removal, adjustment, and examination.

# DISPOSAL OF UNIT

## **WARNING**

If the unit is to be stored unused in an unsupervised area for an extended period **ensure that children do not have access and doors cannot be closed completely.**

**The disposal of the unit should be accomplished by appropriate personnel. Always remove doors to prevent accidents such as suffocation.**

# RECYCLE OF RECHARGEABLE BATTERY



The unit contains a rechargeable battery. The battery is recyclable. At the end of its useful life, check with your local solid waste officials for options or proper disposal.

## 1. Location of a nickel-metal-hydride battery

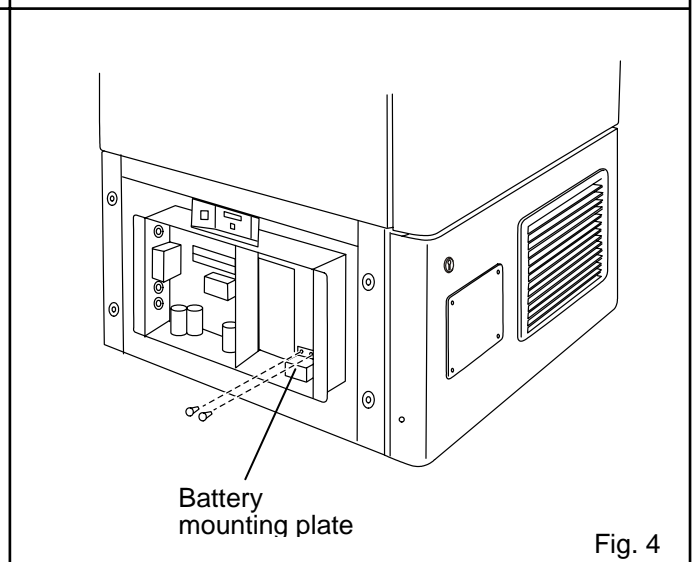
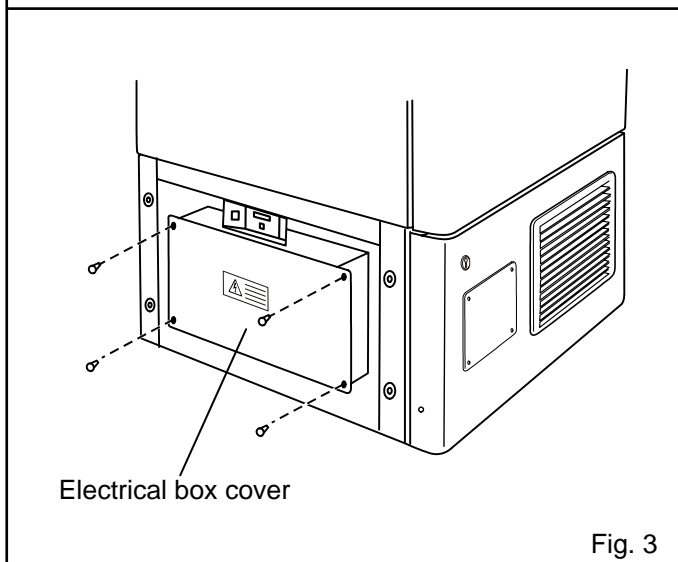
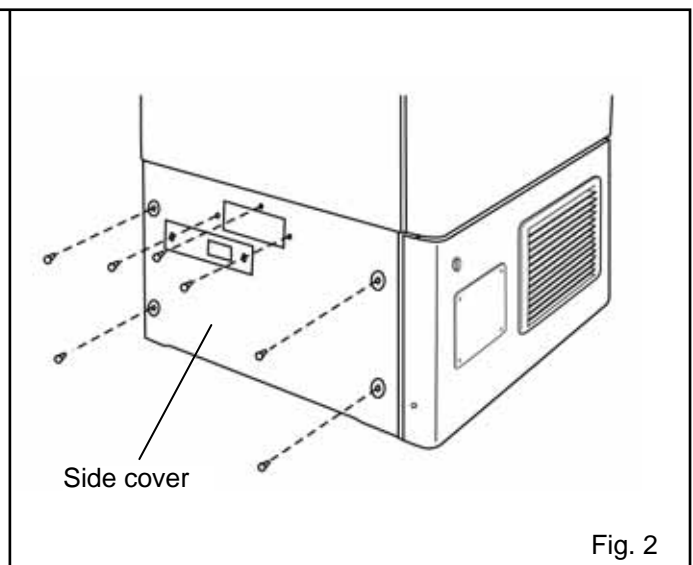
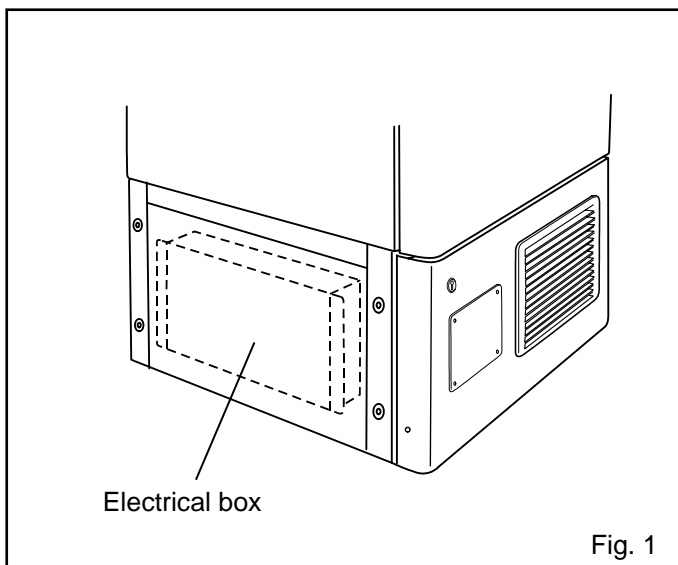
This unit is provided with a nickel-metal-hydride battery for the power failure warning device. The battery is located in the electrical box inside the cover on the lower left side. (Fig. 1)



The high voltage components are enclosed in the electrical box. The cover should be removed by a qualified engineer or a service personnel only to prevent electric shock.

## 2. Removal of nickel-metal-hydride battery

- 1) Turn off the power switch and disconnect the power supply plug.
- 2) As shown in Fig. 2, remove 7 screws fixing the side cover with a screw driver and remove the side cover.
- 3) Remove 4 screws fixing the electrical box cover with a screw driver. (Fig. 3)
- 4) Disconnect the battery connector and remove 2 screws fixing the battery mounting plate. (Fig. 4)
- 5) Take out the battery.
- 6) Follow the procedure for recycling or proper disposal.



# SPECIFICATIONS

Name	Ultra-Low Temperature Freezer
Model	MDF-U32V
External dimensions	W670 x D875 x H1860 (mm)
Internal dimensions	W490 x D600 x H1140 (mm)
Effective capacity	333 L
Exterior	Acrylic finish baked on zinc galvanized steel
Interior	Acrylic finish baked on zinc galvanized steel
Outer door	Acrylic finish baked on zinc galvanized steel
Inner door	ABS resin panel with stainless frame, 2 doors
Shelf	Stainless steel, 3 shelves (adjustable) W464 x D535 (mm), Load; 50 kg/shelf
Access port	17 mm diameter, 2 locations (back, bottom left corner)
Insulation	Vacuum insulation panel + Rigid polyurethane foamed-in place (CFC-FREE)
Compressor	Hermetic type, Output; 400 W (high stage side), 600W (low stage side)
Evaporator	Tube on sheet type
Condenser	Fin and tube type (high stage side), Shell and tube type (low stage side)
Refrigerant	R-407D (high stage side), R-508 (low stage side)
Temperature controller	Microcomputer control system
Temperature display	Digital display
Thermal sensor	Platinum resistance (Pt 1000 )
Alarm	High temp. alarm, Low temp. alarm, Power failure alarm Door alarm, Filter check, Battery alarm
Remote alarm contact	Allowable contact capacity: DC 30V, 2A
Battery	Nickel-metal-hydride battery, DC6V, 1100mAh, Auto-recharge
Accessories	1 set of key, 1 scraper
Weight	258 kg
Optional component	Inventory rack (IR-216U, IR-220U) 3 drawers for lower compartment (MDF-30R) Automatic temperature recorder (MTR-G85) Back-up system (CVK-UB2): LCO <sub>2</sub>

**Note:**

- Design or specifications will be subject to change without notice.
- The battery for power failure alarm is an article for consumption. It is recommended that the battery will be replaced about every 3 years. Contact Sanyo sales agency at the time of replacement of the battery for recycling.

# PERFORMANCE

Cooling performance	-86°C at the center of the chamber (ambient temperature; 30°C, no load)				
Temperature control range	-50°C to -86°C (ambient temperature; 30°C, no load)				
Power source	115V, 60Hz	220V, 50Hz	220V, 60Hz	230V, 50Hz	240V, 50Hz
Rated power consumption	780 W	680 W	730 W	670 W	705 W
Noise level	49 dB [A] (background noise; 20 dB)				
Maximum pressure	1.9 MPa				

**Note :** The unit with CE mark complies with EC directives 89/336/EEC, 93/68/EEC and 73/23/EEC

## CAUTION

Please fill in this form before servicing.  
Hand over this form to the service engineer to keep for his and your safety.

### Safety check sheet

- |                                |     |    |
|--------------------------------|-----|----|
| 1. Refrigerator contents :     | Yes | No |
| Risk of infection:             | Yes | No |
| Risk of toxicity:              | Yes | No |
| Risk from radioactive sources: | Yes | No |

(List all potentially hazardous materials that have been stored in this unit.)

Notes :

#### 2. Contamination of the unit

- |                  |     |    |
|------------------|-----|----|
| Unit interior    | Yes | No |
| No contamination | Yes | No |
| Decontaminated   | Yes | No |
| Contaminated     | Yes | No |
| Others:          |     |    |

#### 3. Instructions for safe repair/maintenance of the unit

- |                                     |     |    |
|-------------------------------------|-----|----|
| a) The unit is safe to work on      | Yes | No |
| b) There is some danger (see below) | Yes | No |

Procedure to be adhered to in order to reduce safety risk indicated in b) below.

Date :

Signature :

Address, Division :

Telephone :

Product name: Ultra-low temperature freezer	Model: MDF-U32V	Serial number:	Date of installation:
---	--------------------	----------------	-----------------------

Please decontaminate the unit yourself before calling the service engineer.

7FB6P10134200

Recycled paper

**SANYO**

---

**SANYO Electric Biomedical Co., Ltd.**

5-5, Keihan-Hondori 2-Chome  
Moriguchi City, Osaka 570-8677 Japan

Printed in Japan